



PEW-A/PES-A

Multi-speed Flashing Signal Light



Optional Rubber Gasket SZ-210

LED

1 Alarm Sound (PEW-B)

85dB at 1m (PEW-B)

IP55*

Ø82

NPN Open-collector

* PEW-A: IP54 (IP23 with side-wire exit mounting)
 * PES-A: IP55 with the optional rubber gasket SZ-210 (IP23 without SZ-210).

Dome shape LED Signal Light featuring enhanced visibility and maintenance-free operation.

FEATURES

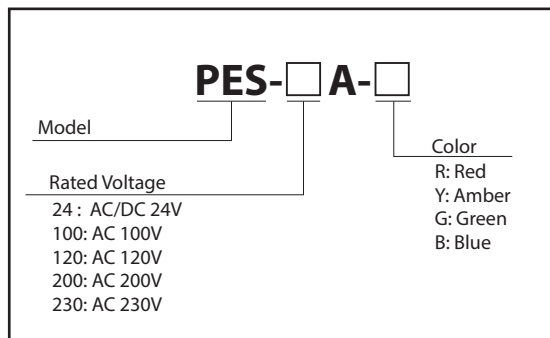
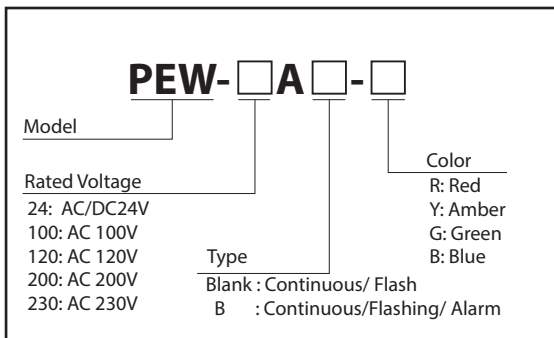
- Has maintenance-free LED's that consume nearly half the power incandescent bulb models (AC100V/200V) do.
- Newly-developed triple-reflection system for enhanced visibility and low power consumption.
- PEW-B type has a built-in adjustable audible alarm with a volume of up to 85dB (at 1m).
- Indoor installation can be upright, inverted or sideways; Outdoors is for upright only.
- The PES is rated for IP55 with the optional rubber gasket SZ-210 (IP23 without SZ-210).
- Has the CE mark and conforms to the requirements for the EC directive. (for 24V type)
- Is a UL Recognized Component (File No. E215660, for 24V, 120V, 230V types only).
- Dome is made of superior weather resistant and light translucent acrylic resin.
- Three flashing patterns of 60/120/180 fpm, switch selectable.
- The PEW is rated for IP54 (IP23 with side-wire exit mounting)
- Available colors are in Red, Amber, Green, and Blue.

AVAILABLE BY SPECIAL ORDER

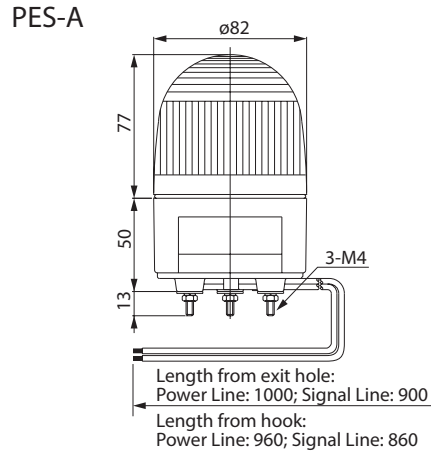
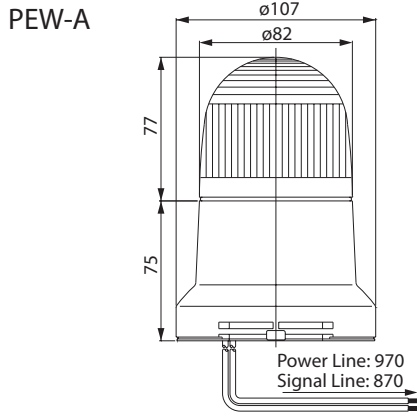
- Body Color: Silver
- IP65: PEW type only



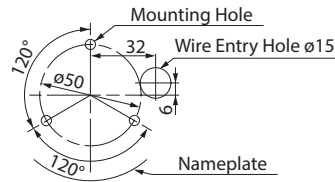
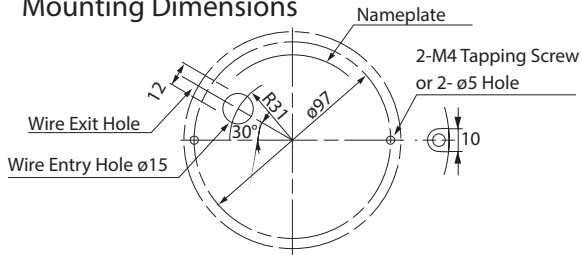
How to Order



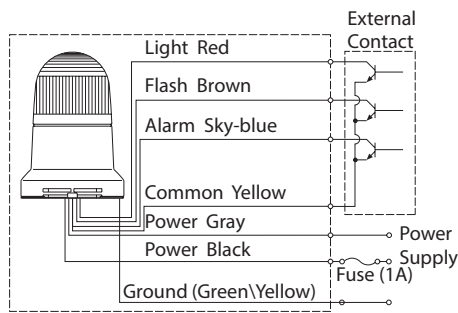
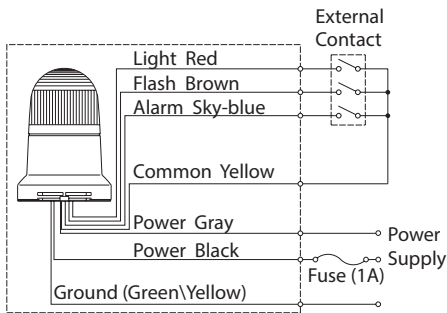
Dimensions (Unit: mm)



Mounting Dimensions



Wiring



- * All Models have the same wiring
- * Sky-blue signal wire is for buzzer type only
- * Ground wire is added for high-voltage types only

Specifications

Model	Color	Rated Voltage	Power Consumption	Inrush Current	Mass
PEW-24A	R/Y	AC/DC 24V	1.2W	2.5A	320g
	G/B		1.5W		
PEW-24AB	R/Y		2.2W	340g	
	G/B		2.5W		
PEW-100A	R/Y	AC 100V	2.8W	1.0A	520g
	G/B		3.3W		
PEW-100AB	R/Y		5.3W	540g	
	G/B		5.8W		
PEW-120A	R/Y	AC 120V	3.0W	1.0A	520g
	G/B		3.5W		
PEW-120AB	R/Y		5.7W	540g	
	G/B		6.2W		
PEW-200A	R/Y	AC 200V	2.5W	0.5A	520g
	G/B		3.2W		
PEW-200AB	R/Y		4.9W	540g	
	G/B		5.6W		
PEW-230A	R/Y	AC 230V	3.1W	0.5A	520g
	G/B		3.8W		
PEW-230AB	R/Y		5.9W	540g	
	G/B		6.4W		

Model	Color	Rated Voltage	Power Consumption	Inrush Current	Mass
PES-24A	R/Y	AC/DC 24V	1.2W	2.5A	240g
	G/B		1.5W		
PES-100A	R/Y	AC 100V	4.2W	1.0A	430g
	G/B		4.7W		
PES-120A	R/Y	AC 120V	4.4W	1.0A	
	G/B		4.9W		
PES-200A	R/Y	AC 200V	4.0W	0.5A	
	G/B		4.7W		
PES-230A	R/Y	AC 230V	4.6W	0.5A	
	G/B		5.3W		