

KHE

LED Multi-signal Light



Optional Rubber Gasket SZ-200A



LED Off with Clear Globe

- LED
- IP55 with SZ-200A
- Φ100
- NPN/PNP Open-collector

KHE features three flashing patterns for diverse applications.

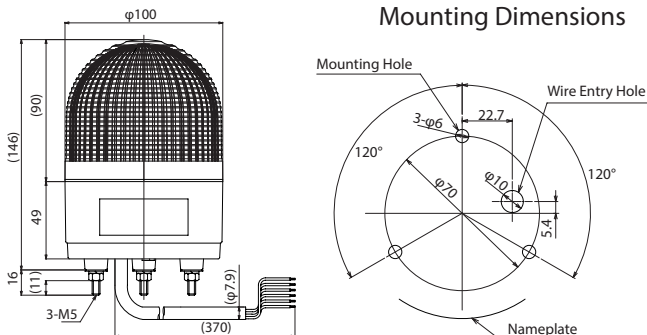
FEATURES

- Super-bright long life LED's used for three signaling patterns that simulate rotation, strobe, and blinking.
- Enhanced illumination with the use of long-life, super bright LEDs.
- No motor or bulb replacement makes it Maintenance-free.
- Low power consumption increases energy efficiency.
- Indoor installation can be upright, inverted or sideways; Outdoors is for upright only.
- Available colors are in Red, Amber, Green, and Blue.
- Has the CE mark and conforms to the requirements for the EC directive.
- Is UL Listed (File No. E215660).

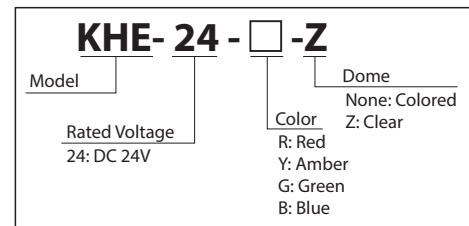
AVAILABLE BY SPECIAL ORDER

- Body Color: Silver

Dimensions (Unit: mm)



How to Order



Specifications

Model	Color	Rated Voltage	Power Consumption	Flash Patterns			Mass
				Flash	Rotation	Strobe	
KHE-24	RED	DC 24V	8.2W	55 ±10% fpm	175 ±10% fpm	75 ±10% fpm (double-flash)	450g
	AMBER						
	GREEN						
	BLUE						

Wiring

