

BM

Signal Horn

CE (AC/DC 24V Only)

90dB at 1m (BM-H Type)

2 Channels

IP34 (BM-D Front Only)

Ø30

NPN/PNP Open-collector



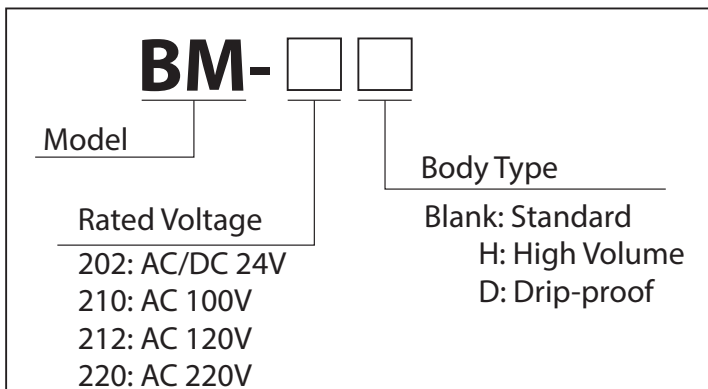
Compact Signal Horn designed to integrate with control panel, switchboard and other production equipment applications.

FEATURES

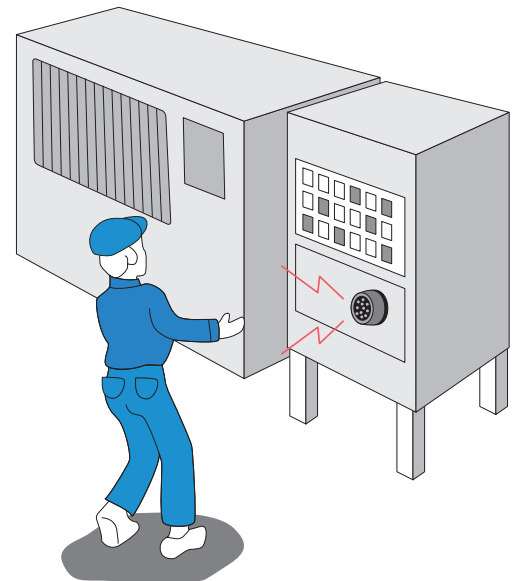
- Built-in Alarm with an audible sound of up to 90dB (at 1m*1).
- Has two selectable alarm sound patterns.
- Three Types to choose from; Standard (BM), High Volume (BM-H), Drip-proof (BM-D)
- Body is compact and lightweight (100g).
- The 24V type is compatible with NPN and PNP inputs.
- Has the CE mark and conforms to the requirements for the EC directive. (For AC/DC 24V only.)

*1 Model BM-H: 90dB (at 1m); Model BM: 85dB (at 1m); Model BM-D: 80dB (at 1m)

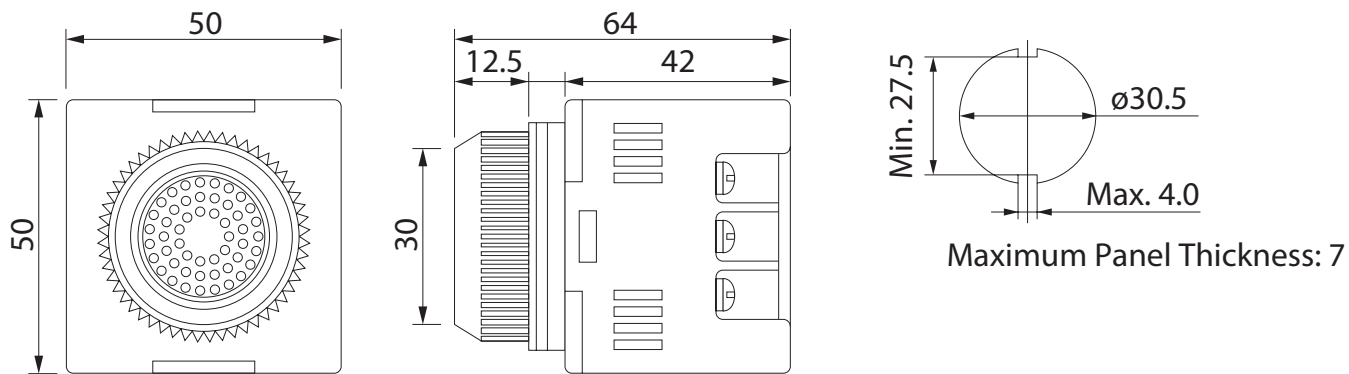
How to Order



Application Example

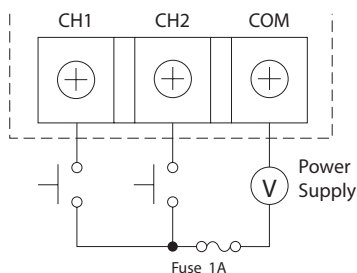


Dimensions (Unit: mm)



Wiring

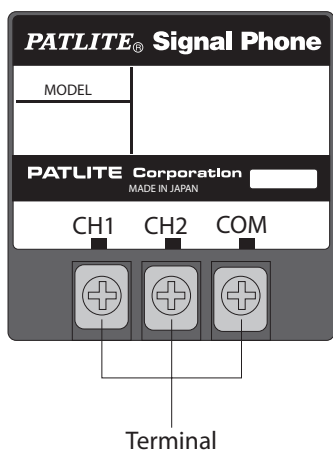
Terminal Bus Input



• Channel Priority

CH1 > CH2
 CH1 has priority when CH2 and CH1 are activated simultaneously

Rear View



External Contact Capacity : No less than 100mA
Auxiliary Input : Voltage Contact
Input Channels : 2

Specifications

Type	Model	Rated Voltage	Voltage Range	Power Consumption	Max. Volume (at 1m)	Operating Temperature Range	Protection Rating	Mass
Standard	BM -202	AC/DC 24V	AC/DC 22V-26V	0.4W	80dB	-10°C - +60°C (RH 85% or less)	IP30	100g
	BM -210	AC 100V	AC 90V-110V	2.5W	85dB			
	BM -220	AC 220V	AC 200V-240V	3.5W				
High Volume	BM -202H	AC/DC 24V	AC/DC 22V-26V	0.4W	85dB			
	BM -210H	AC 100V	AC 90V-110V	2.5W	90dB			
	BM -212H	AC 120V	AC 108V-132V					
	BM -220H	AC 220V	AC 200V-240V	3.5W				
Drip-proof	BM -202D	AC/DC 24V	AC/DC 22V-26V	0.4W	75dB	IP34		
	BM -210D	AC 100V	AC 90V-110V	2.5W	80dB			
	BM -220D	AC 220V	AC 200V-240V	3.5W				