



WH-A / WK-A

Revolving Warning Light



WH-A/WK-A



- Bulb**
- 1 Alarm Sound** (WHB-A Only)
- 90dB at 1m** (WHB-A Only)
- IP54** (B Type:IP23)
- Φ100**

Easily attachable to an electrical box with easy wiring to a terminal block.



Install in various directions when using for indoor applications.

- Sideways
- Upside-down



When installing the WHB, direct the buzzer in a downward direction.

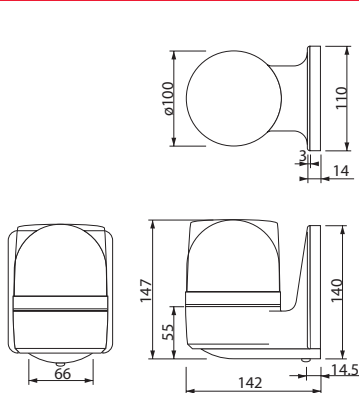
Wall-mount Revolving Warning Light featuring easy wiring with terminal block.

FEATURES

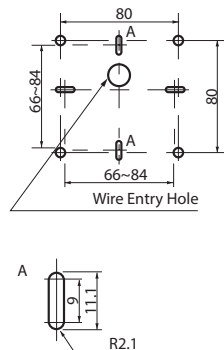
- Has the CE mark and conforms to the requirements (12V, 24V type only) for the EC directive.
- Upright, inverted, and sideways installation allowed for indoors as well as outdoors*.
- Dome is made from superior weather-resistant and light-translucent acrylic resin.
- Rotating parabolic reflector to enhance visibility from a distance.
- Compact motor with high durability and energy-efficient characteristics.
- Vibration-resistant automobile bulb for extended bulb life.
- Main body is made of impact and heat resistant ABS resin.
- Available Colors are Red, Amber, Green, and Blue.
- Uses a terminal block for easy wiring.

*WHB installation is upright only for outdoor use.

Dimensions (Unit: mm)



Mounting Dimensions



Specifications

Model	Rated Voltage	Current Consumption	Flash Rate (fpm)	Bulb		Mass			
				Ratings	Repl. No.				
WK-12A	DC 12V	0.8A	170	12V 10W	9	550g			
WH-24A	DC 24V	0.5A		24V 10W	10				
WK-24A									
WH-100A	AC 100V	0.07A		12V 5W	12	750g			
WK-100A									
WH-120A	AC 120V	0.08A							
WK-120A									
WH-200A	AC 200V	0.04A		12V 10W	9	550g			
WK-200A									
WKB-12A	DC 12V	0.85A							
WHB-24A	DC 24V	0.5A					24V 10W	10	
WKB-24A									
WHB-100A	AC 100V	0.07A					12V 5W	12	750g
WKB-100A									
WHB-120A	AC 120V								
WKB-120A									
WHB-200A	AC 200V	0.04A							
WKB-200A									

How to Order

