



SKHE / SKHEB

Super-bright LED Revolving Warning Light



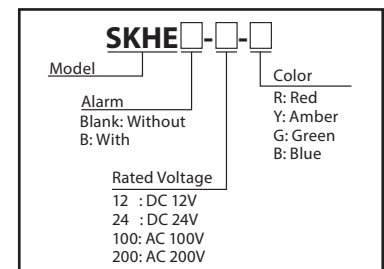
- LED
- 90dB at 1m (SKHEB)
- IP23
- Ø118

Compact LED revolving warning light featuring one super-bright LED chip and an enhanced high dispersion reflection system.

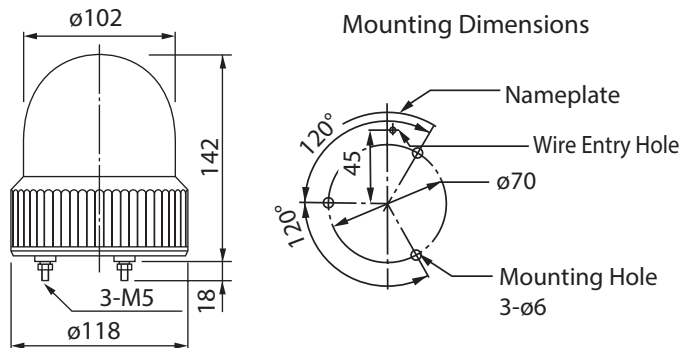
FEATURES

- SKHEB series includes an internal alarm (hi-pitched tone) of 90dB (at 1m) that is synchronized with the light operation.
- Indoors allows upright, inverted, and horizontal installation; outdoors allows upright installation only.
- Has the CE mark and conforms to the requirements (for 12V, 24V type only) for the EC directive.
- Compact motor with high durability and energy-efficient characteristics.
- Energy-efficient by using only 1 LED chip which is super-bright.
- Dome lens is made of impact and heat resistant polycarbonate resin.
- Colors available are Red, Amber, Green, and Blue.

How to Order



Dimensions (Unit: mm)



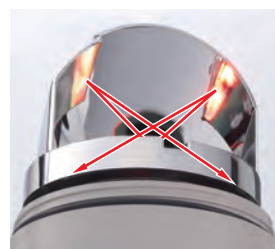
Specifications

Model	Rated Voltage	Current Consumption	Flash Rate (fpm)	Mass
SKHE/SKHEB-12	DC 12V	0.25A	120	400g
SKHE/SKHEB-24	DC 24V	0.16A		600g
SKHE/SKHEB-100	AC 100V	0.04A		
SKHE/SKHEB-200	AC 200V	0.02A		

Newly developed reflector for LED revolving warning light



The PATLITE LED revolving warning light uses a unique and patented reflecting system, solely designed for these models. Even though the dispersion characteristics of the LED chip is less than an incandescent bulb, PATLITE's unique design creates an equivalent dispersion effect with the light reflector.



The uniquely designed reflectors not only reflect upward and to the side, but also downward; this cannot be achieved by incandescent bulb type revolving warning lights. The PATLITE LED revolving warning light is suitable for applications where high visibility from a low angle is required.