

Read and Understand this Catalog

Please read and understand this catalog before purchasing the product. Please consult your OMRON representative if you have any questions or comments.

Warranty and Limitations of Liability

WARRANTY

OMRON's exclusive warranty is that the products are free from defects in materials and workmanship for a period of one year (or other period if specified) from date of sale by OMRON.

OMRON MAKES NO WARRANTY OR REPRESENTATION, EXPRESS OR IMPLIED, REGARDING NON-INFRINGEMENT, MERCHANTABILITY, OR FITNESS FOR PARTICULAR PURPOSE OF THE PRODUCTS. ANY BUYER OR USER ACKNOWLEDGES THAT THE BUYER OR USER ALONE HAS DETERMINED THAT THE PRODUCTS WILL SUITABLY MEET THE REQUIREMENTS OF THEIR INTENDED USE. OMRON DISCLAIMS ALL OTHER WARRANTIES, EXPRESS OR IMPLIED.

LIMITATIONS OF LIABILITY

OMRON SHALL NOT BE RESPONSIBLE FOR SPECIAL, INDIRECT, OR CONSEQUENTIAL DAMAGES, LOSS OF PROFITS OR COMMERCIAL LOSS IN ANY WAY CONNECTED WITH THE PRODUCTS, WHETHER SUCH CLAIM IS BASED ON CONTRACT, WARRANTY, NEGLIGENCE, OR STRICT LIABILITY.

In no event shall the responsibility of OMRON for any act exceed the individual price of the product on which liability is asserted.

IN NO EVENT SHALL OMRON BE RESPONSIBLE FOR WARRANTY, REPAIR, OR OTHER CLAIMS REGARDING THE PRODUCTS UNLESS OMRON'S ANALYSIS CONFIRMS THAT THE PRODUCTS WERE PROPERLY HANDLED, STORED, INSTALLED, AND MAINTAINED AND NOT SUBJECT TO CONTAMINATION, ABUSE, MISUSE, OR INAPPROPRIATE MODIFICATION OR REPAIR.

Application Considerations

SUITABILITY FOR USE

OMRON shall not be responsible for conformity with any standards, codes, or regulations that apply to the combination of the product in the customer's application or use of the product.

Take all necessary steps to determine the suitability of the product for the systems, machines, and equipment with which it will be used.

Know and observe all prohibitions of use applicable to this product.

NEVER USE THE PRODUCT FOR AN APPLICATION INVOLVING SERIOUS RISK TO LIFE OR PROPERTY WITHOUT ENSURING THAT THE SYSTEM AS A WHOLE HAS BEEN DESIGNED TO ADDRESS THE RISKS, AND THAT THE OMRON PRODUCT IS PROPERLY RATED AND INSTALLED FOR THE INTENDED USE WITHIN THE OVERALL EQUIPMENT OR SYSTEM.

PROGRAMMABLE PRODUCTS

OMRON shall not be responsible for the user's programming of a programmable product, or any consequence thereof.

Disclaimers

CHANGE IN SPECIFICATIONS

Product specifications and accessories may be changed at any time based on improvements and other reasons. Consult with your OMRON representative at any time to confirm actual specifications of purchased product.

DIMENSIONS AND WEIGHTS

Dimensions and weights are nominal and are not to be used for manufacturing purposes, even when tolerances are shown.

PERFORMANCE DATA

Performance data given in this catalog is provided as a guide for the user in determining suitability and does not constitute a warranty. It may represent the result of OMRON's test conditions, and the users must correlate it to actual application requirements. Actual performance is subject to the OMRON Warranty and Limitations of Liability.

Note: Do not use this document to operate the Unit.

OMRON Corporation

FA Systems Division H.Q.
66 Matsumoto
Mishima-city, Shizuoka 411-8511
Japan
Tel:(81)55-977-9181
Fax:(81)55-977-9045

Regional Headquarters

OMRON EUROPE B.V.
Wegalaan 67-69, NL-2132 JD Hoofddorp
The Netherlands
Tel:(31)2356-81-300/Fax:(31)2356-81-388

OMRON ELECTRONICS LLC
1 East Commerce Drive, Schaumburg, IL 60173
U.S.A.
Tel:(1)847-843-7900/Fax:(1)847-843-8568

OMRON ASIA PACIFIC PTE. LTD.
83 Clemenceau Avenue,
#11-01, UE Square,
Singapore 239920
Tel:(65)6835-3011/Fax:(65)6835-2711

Authorized Distributor:

Note: Specifications subject to change without notice.

Cat. No. R130-E1-01
Printed in Japan
0105-1M

Printed on 100%
Recycled Paper



New!

OMRON

Power Supply Units with Maintenance Forecast Monitor for SYSMAC PLCs

CJ Series: CJ1W-PA205C

CS Series or C200HX/HG/HE: C200HW-PA204C

New PLC Power Supply Units That Let You Know
When Unit Replacement Is Necessary



CJ Series:
CJ1W-PA205C

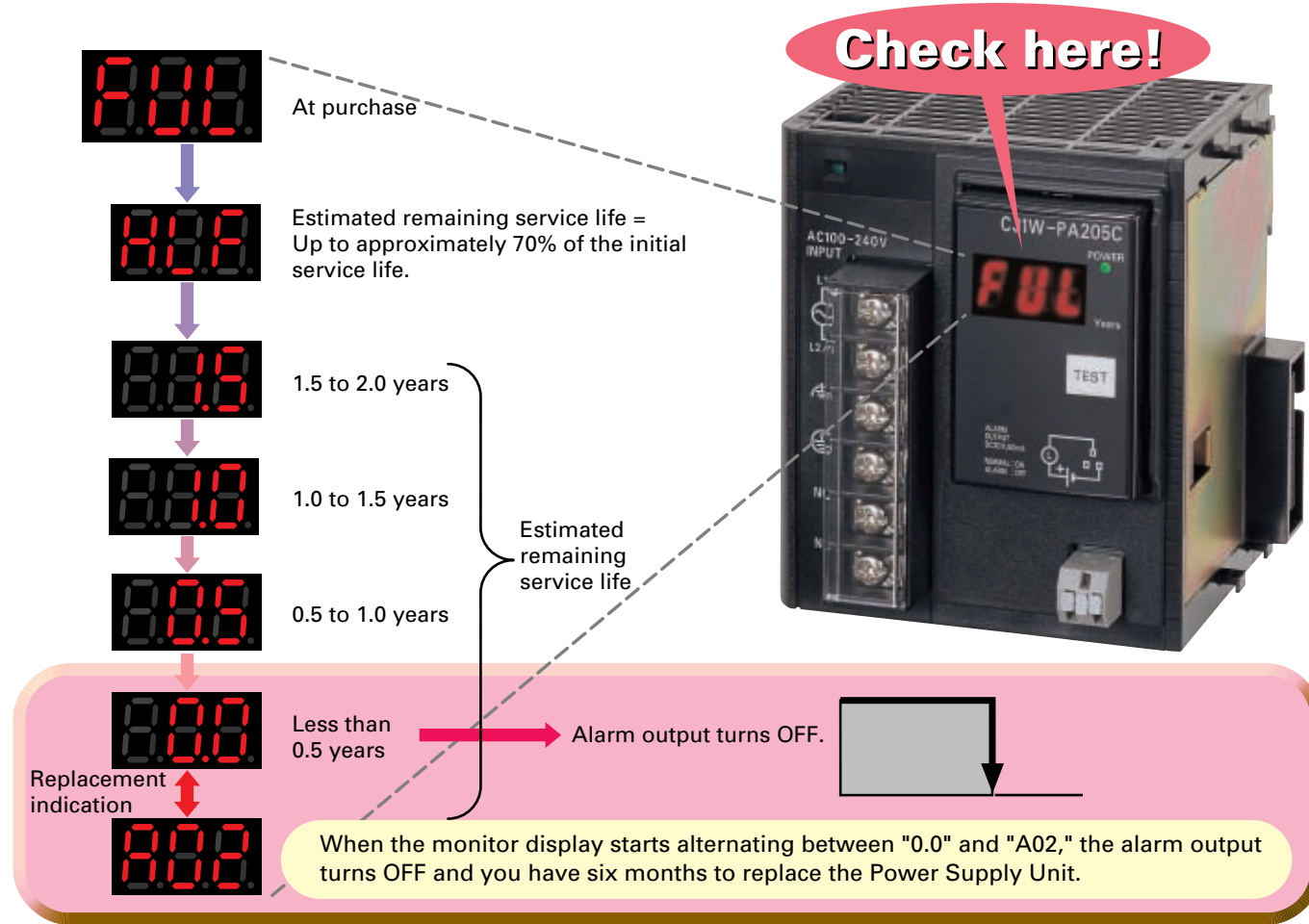


CS Series or
C200HX/HG/HE:
C200HW-PA204C

Alarm Output and 7-Segment Display Provide Advance Notification of the End of the Service Life

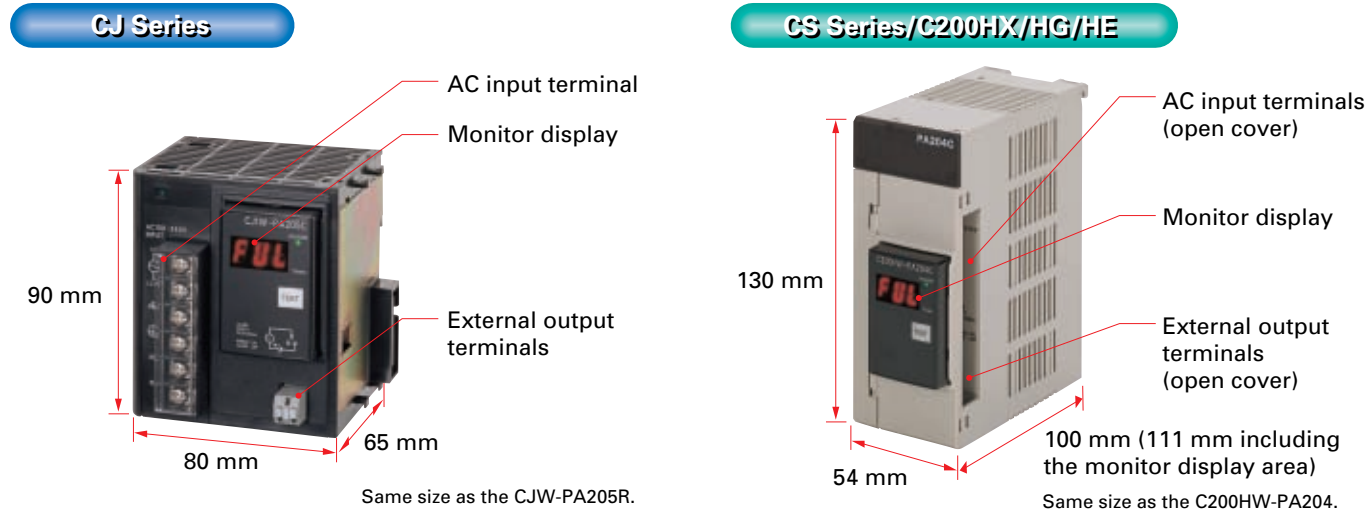
Schedule Replacement and Replace Units before Their Service Life Ends

The Power Supply Unit has a 6-level, 7-segment display on the front to indicate when the Unit should be replaced. It also outputs an alarm when the estimated remaining service life falls below 6 months. This enables Unit replacement before the end of its service life before the system goes down. It also makes it easier to plan Unit replacement, such as the lines or Racks where replacement is necessary and the number of Units to replace.



Same Wiring and Size as Current Power Supply Units

Simply replace your current Power Supply Unit to add the maintenance forecast monitor function. The CJ1W-PA205C is the same size as the CJ1W-PA205R and the C200HW-PA204C is the same size as the C200HW-PA204.



Before

- Spare Power Supply Units were kept on hand in case one failed.
 - Uh oh, that one failed. I'd better replace it fast.
 - STOP
 - Extensive losses
- A failed Power Supply Unit was costly in terms of getting equipment together and dispatching personnel.
 - What's happening?
 - We'll have to send someone out.

After

- Power Supply Units can be replaced before the end of their service life.
 - That "0.5" monitor display reading means the Unit won't last another year. I'll go ahead and replace it.
 - RUN
 - No losses
- A simple phone call to check the monitor display eliminates the need for confirmation and courtesy visits.
 - Now that you mention it, the monitor display began alternating between "0.0" and "A02" yesterday.
 - That tells you the Unit is nearing the end of its service life. Go ahead and replace it.

- Figuring out when to replace Units took time. Here's a typical example. Stickers are supposed to be attached to the Unit to show when it was installed.
 - I wonder how long this one will last? Without that sticker, I haven't a clue.

Administrative logs were kept as well, but they weren't very helpful.

Rack	Model	Installation date
A1	CJ1W-PA205R	00-07-01
A2	CJ1W-PA205R	01-03-21
B1	C200HW-PA204	02-10-10

Difficult to use

- Concern about Unit failure led to unnecessary stocking.
 - Unnecessary stock
 - Spare Units were heavily stocked just in case.

- The 7-segment display tells you when to replace the Unit even in the dark or far away. And you know only six months remain when the display alternates between "0.0" and "A02."
 - Six months remain when "0.0" and "A02" alternate.
- A simple visit, routine or otherwise, and you'll know when Units need to be replaced. This helps you plan exactly when to replace Units, including the lines and Racks where replacement is necessary and the number of Units to replace. No more overstocked inventory of spare Units.
 - Reasonable number of spare Power Supply Units
 - Reasonably sized inventory

Routine Check of PLC Power Supply Units

Rack	Model	Indication
		04-12-01
A1	CJ1W-PA205C	FUL
A2	CJ1W-PA205C	HLF
B1	C200HW-PA204C	0.5

Maintenance Forecast Monitor Function

Principle of Operation

PLC Power Supply Units are equipped with electrolytic capacitors. The electrolyte inside the capacitor penetrates the rubber seal and evaporates over time starting the day the capacitor is manufactured. This causes characteristics, like the capacitance, to decline and leads to deterioration of Power Supply Unit performance over time.

The maintenance forecast monitor function tracks the internal temperature of the PLC Power Supply Unit when power is supplied. It calculates deterioration of the electrolytic capacitor based on operating time and internal temperature. The function tells you the

approximate time left until the deterioration of electrolytic capacitor characteristics leads to a decline in Power Supply Unit performance, and it outputs an alarm when the estimated remaining service life of the Unit falls below six months. Use this function to gauge when the PLC Power Supply Unit should be replaced.

Note: The maintenance forecast monitor function only approximates when the Power Supply Unit should be replaced based on electrolytic capacitor deterioration. It does not predict failures due to other factors.

Functions

Specifications	Description
Replacement monitor display	<p>Three 7-segment LEDs indicate the time remaining until recommended replacement of the Power Supply Unit.</p> <ul style="list-style-type: none"> When the product is purchased, FUL will be displayed. As the electrolytic capacitor deteriorates, the display changes to HLF. If the time remaining until recommended replacement is less than two years, the monitor display shows decreasing values over time of "1.5," "1.0," "0.5," and finally "0.0" alternating with "A02," as shown on the right. The monitor display alternately displays "0.0" and "A02" at 2-s intervals when the time remaining until replacement falls below 0.5 years (6 months).
Alarm output (maintenance forecast monitor output)	<p>The alarm stays ON until the time remaining until recommended replacement reaches 0.5 years. It turns OFF when the time remaining falls below 0.5 years.</p> <p>Note: Other conditions that turn OFF the alarm output are as follows:</p> <ul style="list-style-type: none"> The AC input to the Power Supply Unit is turned OFF. The self-diagnosis function detects an error. The TEST Key is pressed and held for at least 3 s. TEST Key maintenance function <p>Reference Information Alarm output example: Creating a Non-fatal Error when a Unit Needs to be Replace</p> <p>A timer is used to delay execution of the FAL instruction to allow for the delay in the alarm output turning ON at startup. The FAL instruction does not create an error while the alarm output is ON (i.e., during normal operation), but creates a non-fatal error in the CPU Unit when the alarm output turns OFF (i.e., when Unit replacement is required).</p>
Test key maintenance function	<ul style="list-style-type: none"> Press and hold the TEST Key for 3 seconds or longer to display "A02" and turn OFF the alarm. Release the key to return to normal status. The TEST Key is used to initially and periodically check the status of the alarm output as well as external connections. Press the TEST Key for up to 3 seconds to display the version number of the Power Supply Unit.

Note: The Power Supply Unit must be stored at an ambient temperature of -25 to 30°C and a humidity of 25% to 70% to maintain the maintenance forecast monitor function when the Unit is stored without power supplied for more than three months.

Maintenance Forecast Monitor Function Module

C200HW-PA204C	CJ1W-PA205C

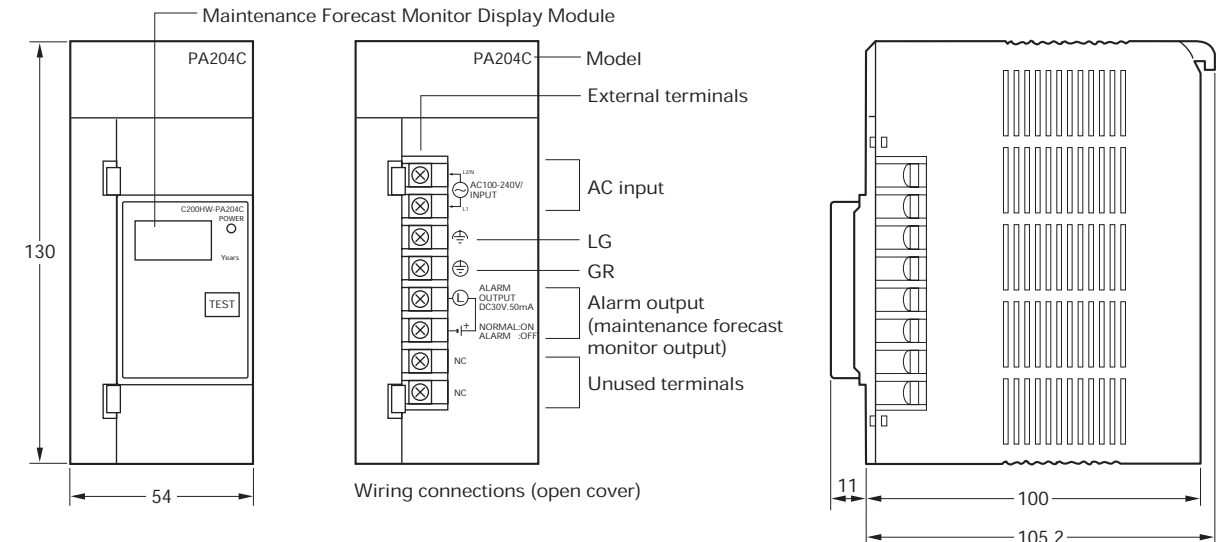
Ordering Information

Model	Specifications	International standards
CJ1W-PA205C	100 to 240 V DC, output capacity: 5 V DC, 5 A	Maintenance forecast monitor UC1, CE N, L (approval pending)
C200HW-PA204C	100 to 240 V DC, output capacity: 5 V DC, 4.6 A	

Part Names and Dimensions

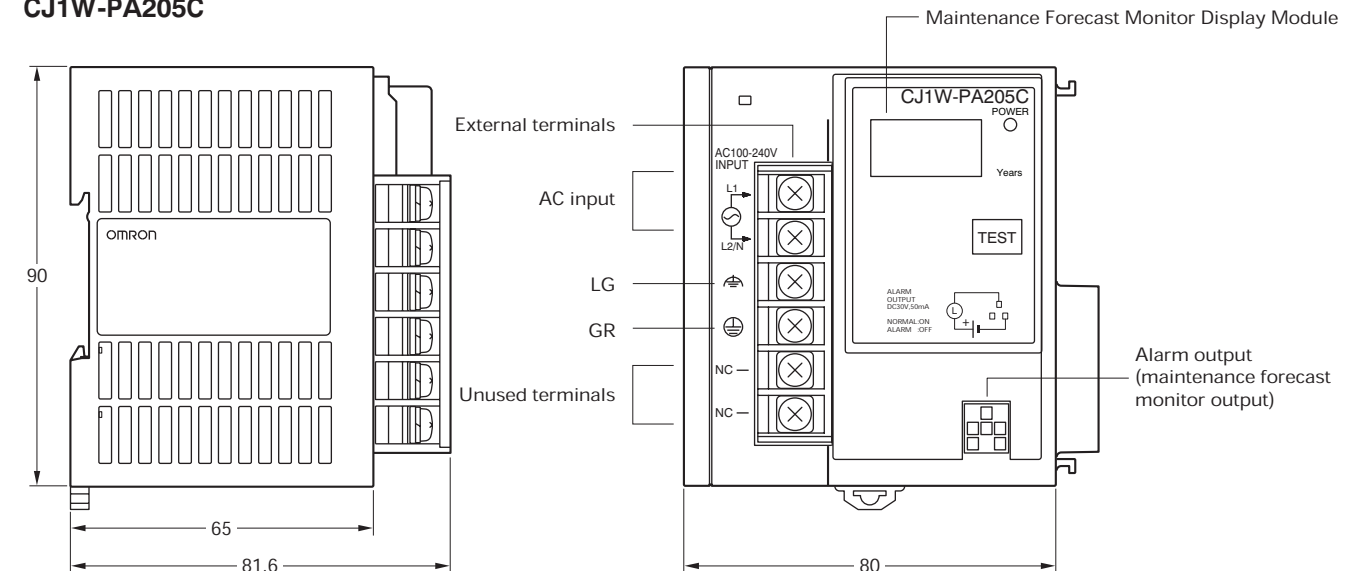
Unit: mm

C200HW-PA204C



- AC inputs: 100 to 240 V AC (50/60 Hz) power supply
- LG: Use a separate ground to 100 Ω or less to improve resistance to electric shock and noise.
- GR: Use a separate ground to 100 Ω or less to prevent electric shock.
- Alarm output (maintenance forecast monitor output): Turns ON when the remaining service life is 0.5 years or longer and turns OFF when the remaining service life is 0.5 years or shorter.
- Maintenance forecast monitor display module: Indicates when to replace the Power Supply Unit. It has a power indicator that is lit when 5 V is supplied from the Power Supply Unit.

CJ1W-PA205C



- AC inputs: 100 to 240 V AC (50/60 Hz) power supply
- LG: Use a separate ground to 100 Ω or less to improve resistance to electric shock and noise.
- GR: Use a separate ground to 100 Ω or less to prevent electric shock.
- Alarm output (maintenance forecast monitor output): Turns ON when the remaining service life is 0.5 years or longer and turns OFF when the remaining service life is 0.5 years or shorter.
- Maintenance forecast monitor display module: Indicates when to replace the Power Supply Unit. It has a power indicator that is lit when 5 V is supplied from the Power Supply Unit.

General Specifications

Item	Model	C200HW-PA204C	CJ1W-PA205C
Power supply voltage		100 to 240 V AC (wide-range), 50 to 60 Hz	
Allowable voltage range		85 to 264 V AC, 47 to 63 Hz	
Power consumption		100 VA max.	100 VA max.
Inrush current		100 to 120 V AC input: 15 A max. (for a cold start at room temperature) 200 to 240 V AC input: 30 A max. (for a cold start at room temperature)	
Power supply capacity		4.6 A at 5 V DC, 0.625 A at 26 V DC, 30 W total	5 A at 5 V DC, 0.8 A at 24 V DC, 25 W total
Power supply output terminals (service power supply)		None	
RUN output		None	
Monitor display		7-segment display	
Maintenance forecast monitor output		Yes (open-collector output) 50 mA max. at 30 V DC max.	
Insulation resistance		20 MΩ min. (at 500 V DC) between AC external and GR terminals as well as between all output terminals 20 MΩ min. (at 250 V DC) between all output and GR terminals	
Dielectric strength		2,300 V AC at 50/60 Hz for 1 min between AC external and GR terminals as well as between all output terminals, Leakage current: 10 mA max. 1,000 V AC at 50/60 Hz for 1 min between all output and GR terminals, Leakage current: 10 mA max.	
Noise immunity		2 kV on power supply line (conforming to IEC61000-4-4)	
Vibration resistance		10 to 57 Hz, 0.075-mm amplitude, 57 to 150 Hz, Acceleration: 9.8 m/s ² in X, Y, and Z directions for 80 minutes (Sweep time 8 min x 10 = total time 80 min.) (according to JIS C0040)	
Shock resistance		Acceleration: 147 m/s ² , 3 times each in X, Y, and Z directions (according to JIS C0040)	
Ambient operating temperature		0 to 55°C	
Ambient operating humidity (See note.)		0% to 90% (with no condensation)	
Atmosphere		Must be free from corrosive gases.	
Ambient storage temperature (See note.)		-20 to 75°C	
Grounding		Less than 100 Ω	
Enclosure		Mounted in a panel.	
Weight		500 g max.	400 g max.
Dimensions		54 x 130 x 111 mm (W x H x D) (including the maintenance forecast monitor display module)	80 x 90 x 81.6 mm (W x H x D)
Safety standards		Conforms to cULus and EC Directives . N and Lloyd (approval pending)	

Note: The Power Supply Unit must be stored at an ambient temperature of -25 to 30°C and a humidity of 25% to 70% to maintain the maintenance forecast monitor function when the Unit is stored without power supplied for more than three months.

Comparison with Previous Models

C200HW-PA204C

Item	C200HW-PA204C	C200HW-PA204 (previous model)
Input specifications	100 to 240 V AC (wide range)	100 to 120 V AC/200 to 240 V AC (switchable)
Power interruption detection voltage	85 V max.	100 to 120 V AC: 85 V max. 200 to 240 V AC: 170 V max.
Service power supply	None	None (except for the PA204S)
RUN output	None	None (except for the PA204R)
Terminal block arrangement	<p>C200HW-PA204C</p>	<p>C200HW-PA204</p>
Power indicator	On the maintenance forecast monitor display module	On the Power Supply Unit
Maintenance forecast monitor function	Yes (7-segment display and transistor output)	None

Note: The time from external AC power supply input to 5 V or 26 V output.

CJ1W-PA205C

Item	CJ1W-PA205C	CJ1W-PA205R (previous model)
RUN output	None	Yes
Terminal block arrangement	<p>CJ1W-PA205C</p>	<p>CJ1W-PA205R</p>
Terminal block location	<p>Terminal block Alarm output terminals</p>	<p>Terminal block</p>
Power indicator	On the maintenance forecast monitor display module	On the Power Supply Unit
Maintenance forecast monitor function	Yes (7-segment display and transistor output)	None