

## I/O Link Module

C200HW-DRT21

I/O Link Module is ideal for distributed control.

PLC can be used as an Intelligent Slave on the DeviceNet.

- Intelligent Slave for DeviceNet
- Supports I/O and message communications.  
Maximum I/O area size:  
512 input points (32 words)  
512 output points (32 words)
- Programming Console or Configurator freely allocates I/O areas.



## Ordering Information

Name	Model
I/O Link Module (for SYSMAC C200HX/HG/HE)	C200HW-DRT21

## Specifications

### ■ Ratings/Characteristics

#### General Specifications

Item	Specification
Communications power supply voltage	11 to 25 VDC (supplied from the communications connector)
Current consumption	Communications power supply: 45 mA max. at 24 VDC Internal circuit power supply: 250 mA max. at 5 VDC
No. of connectable Units	10 (C200HX/HG/HE CPU handles up to 880 I/O points)
	16 (C200HX/HG/HE CPU handles more than 880 I/O points)
Weight	250 g max.

#### I/O Communications

Item	Specification
Max. number of I/O points	512 input points (32 words) 512 output points (32 words)
Default area	Write area (linking with Master's write area): 1 word out of 350 IR words Read area (linking with Master's read area): 1 word out of 50 IR words
Performance	I/O exchange time: 36 to 90 ms between the Master and Slave provided that the numbers of input and output points exchanged are both 512

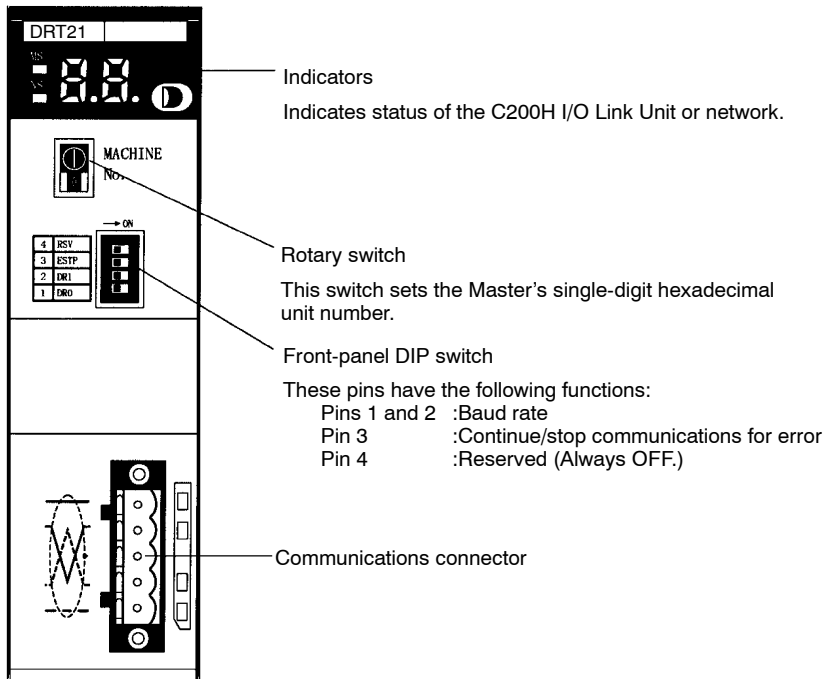
Settings (Slave)

Item	Specification	
Function	A write area block and a read area block can be freely allocated to any areas or addresses respectively	
Allowable setting area	Both read and write areas can be allocated to IR, DM, HR, AR, LR, T/C, and EM areas	
First address	A readable or writable area by word (with some restrictions)	
Area size	Set in 1-byte increments up to 64 bytes for both read and write areas	
Setting method	Configurator	Refer to the <i>DeviceNet Configurator Operation Manual (W328)</i> .
	Programming Console	<ol style="list-style-type: none"> <li>1. Write the set value to I/O setting area allocated to the Special I/O Area.</li> <li>2. Turn ON the software switch allocated to the Special I/O Area and write the settings.</li> <li>3. Turn the Programming Console OFF and ON or reset the AR area.</li> </ol>

Message Communications

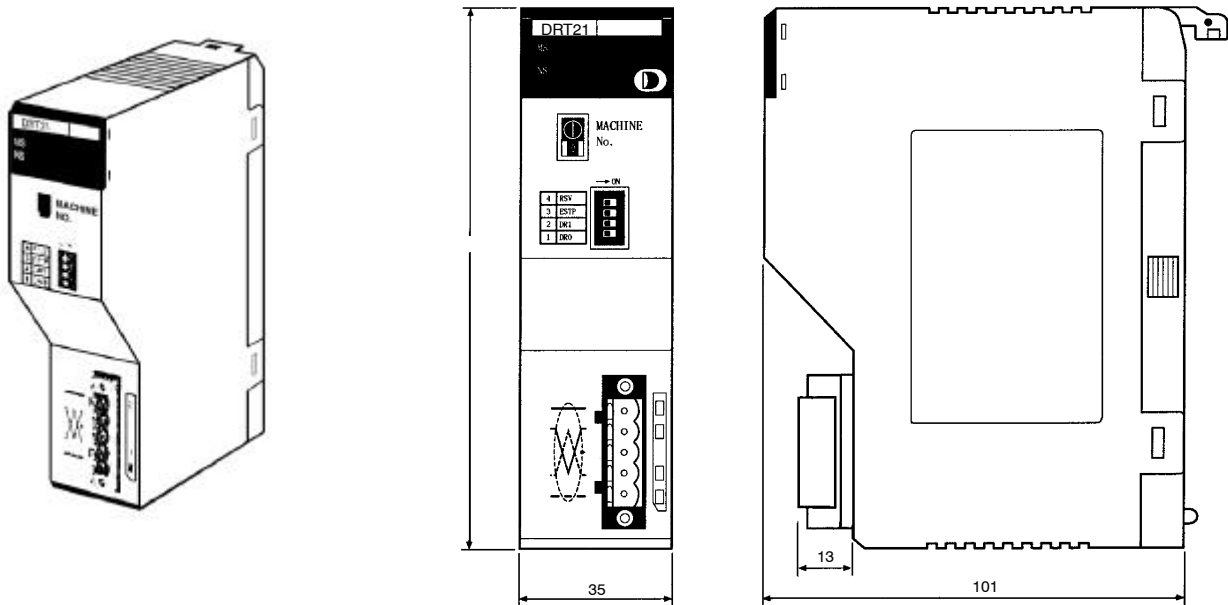
Item	Specification
Function	Supports messages that can be written to or read from the C200HX/HG/HE's user I/O areas (i.e., IR, DM, HR, AR, LR, T/C, and EM areas)
Master	OMRON's Master or compatible unit from Rockwell
Max. message size	Slave (C200HW-DRT21) 200 bytes per READ or WRITE command
	Master CVM1: 158 bytes max. C200HX/HG/HE: 158 bytes max.
Performance	Response time: 193 to 224 ms between the Master and Slave when reading 100-byte data on provided that the numbers of input and output points exchanged are both 512

Nomenclature



## Dimensions

**Note:** All units are in millimeters unless otherwise indicated.



Refer to the PLC's Installation Guide for the dimensions of the Module when it is mounted to the Back-plane. (All dimensions are in mm.)

**NOTE: DIMENSIONS SHOWN ARE IN MILLIMETERS. To convert millimeters to inches divide by 25.4.**

**OMRON**<sup>®</sup>  
**OMRON ELECTRONICS, INC.**  
 One East Commerce Drive  
 Schaumburg, IL 60173  
**1-800-55-OMRON**

**OMRON CANADA, INC.**  
 885 Milner Avenue  
 Scarborough, Ontario M1B 5V8  
**416-286-6465**